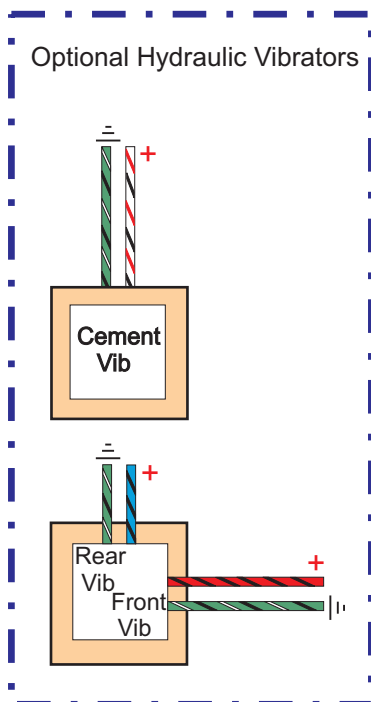
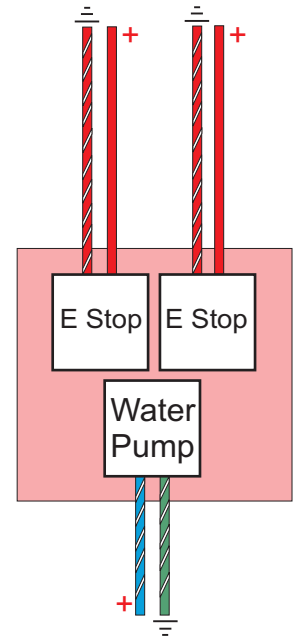
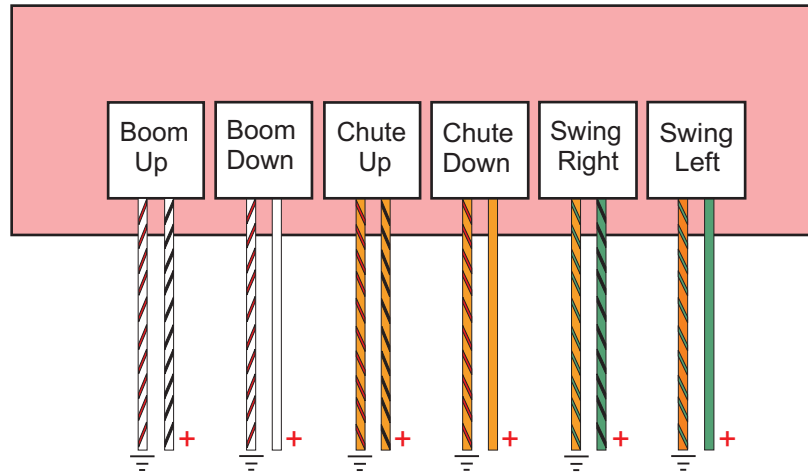
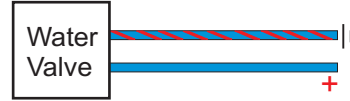
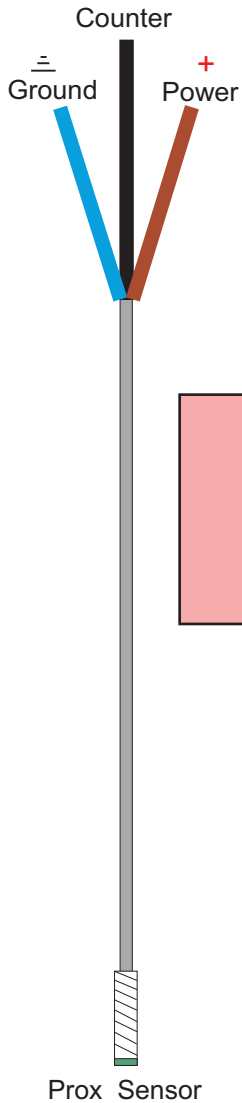
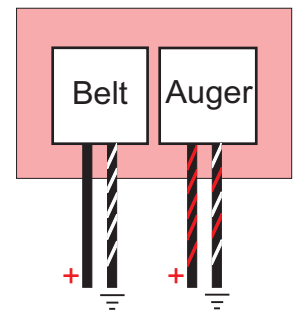
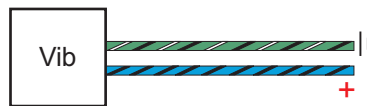


Valve Wiring

Each solenoid connector has 2 wires which are bundled in a common cable leading to the electrical control box.



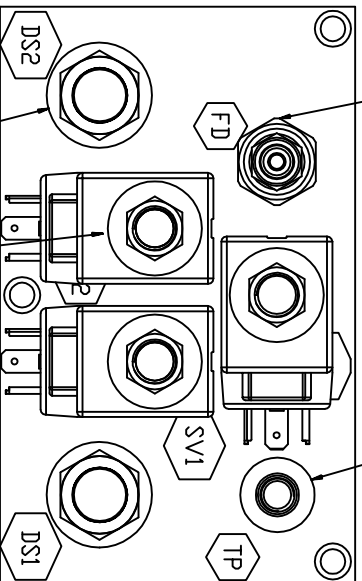
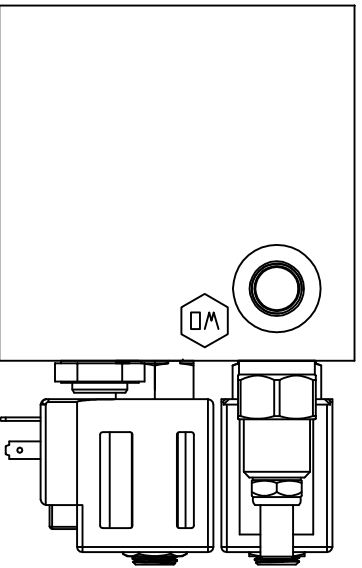
Pneumatic Vibrator



+ This symbol indicates power input to the connector. Each wire is connected to the terminal next to the LED light.

— This symbol indicates the ground connection for the connector. Each wire is connected to the terminal next to the red capacitor.

The third and widest pin is not used.

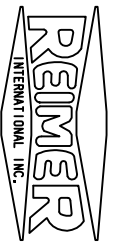
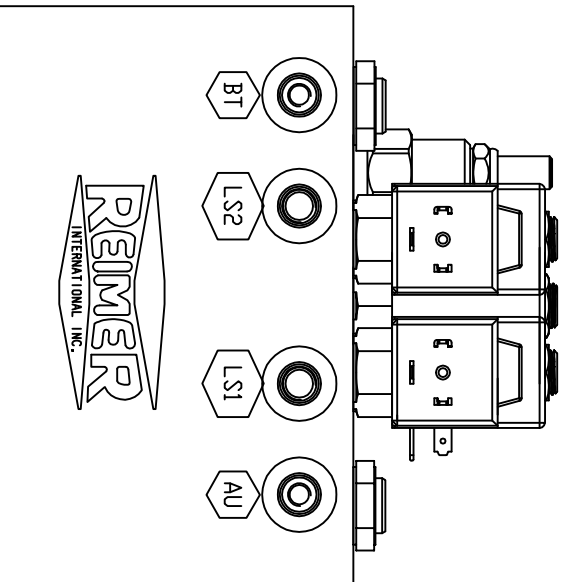
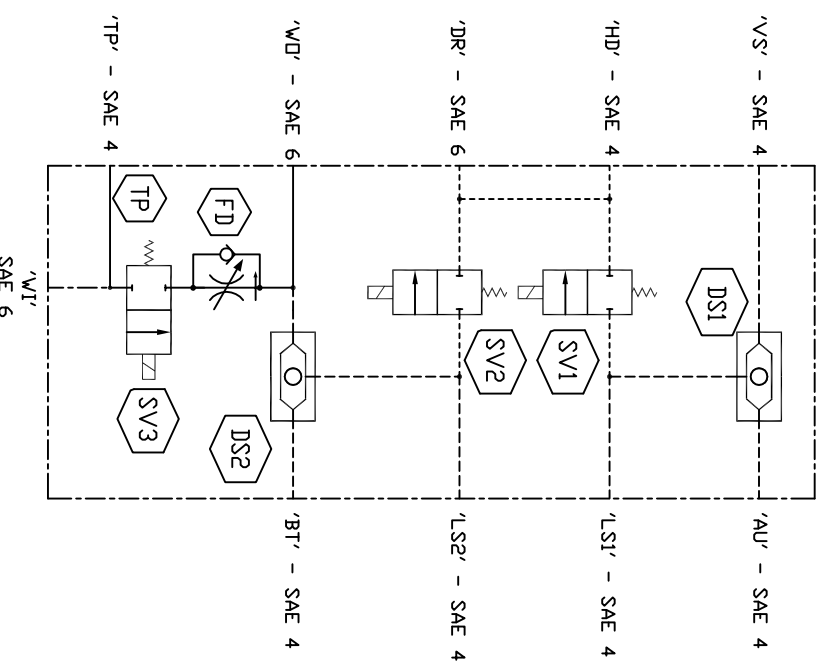


FD - Flow Control Cartridge
FDBA-LAN

TP - Test Port
SMK-20-7/16-UNF-VE

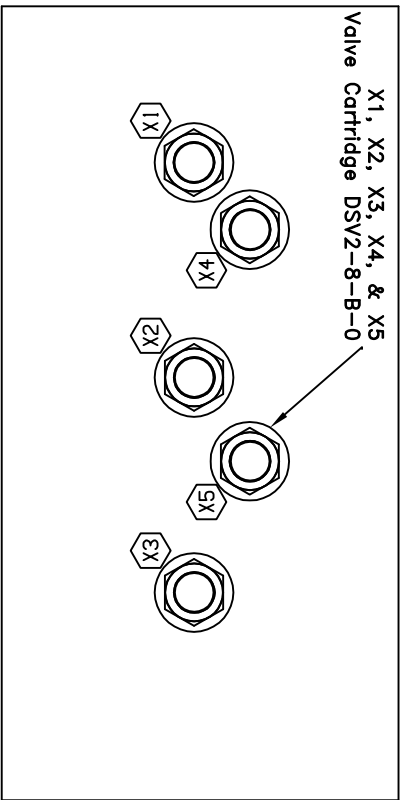
DS1 & DS2 - Shuttle Valve Cartridge
DSV2-8-B-0

SV1, SV2, & SV3 - Solenoid Valve Cartridge
SV4-8-C-0-00

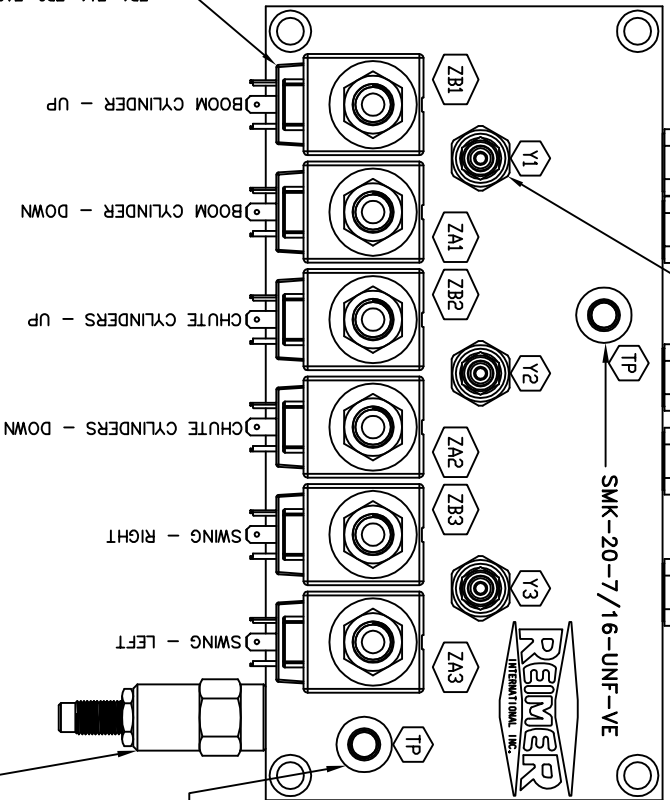


12 Volt DC Coil # 02-160690
24 Volt DC Coil # 02-160691

		REIMER INTERNATIONAL PO Box 1168, Didsbury, AB, Canada T0M 0W0	
		Pilot Signal / E-Stop / Water Pump Manifold SCHEMATIC / GENERAL LAYOUT	
G. Green	SIZE C	FRSM NO.	DWG NO. C 030196SA
December 15, 2003	SCALE NTS		REV 0
			SHEET 1 OF 1



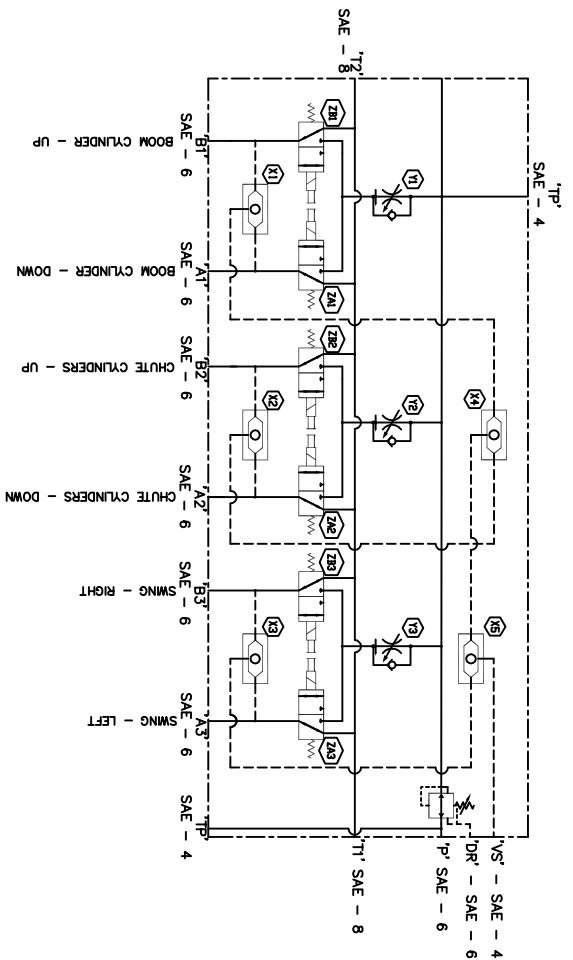
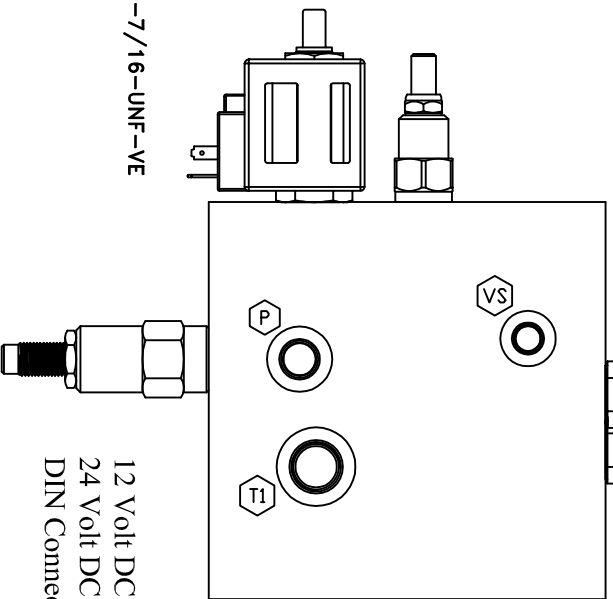
Y1, Y2, & Y3
Flow Control Cartridge FDBA-LAN



Solenoid Valve SV4-5299-0
ZB1, ZA1, ZB2, ZA2, ZB3, & ZA3

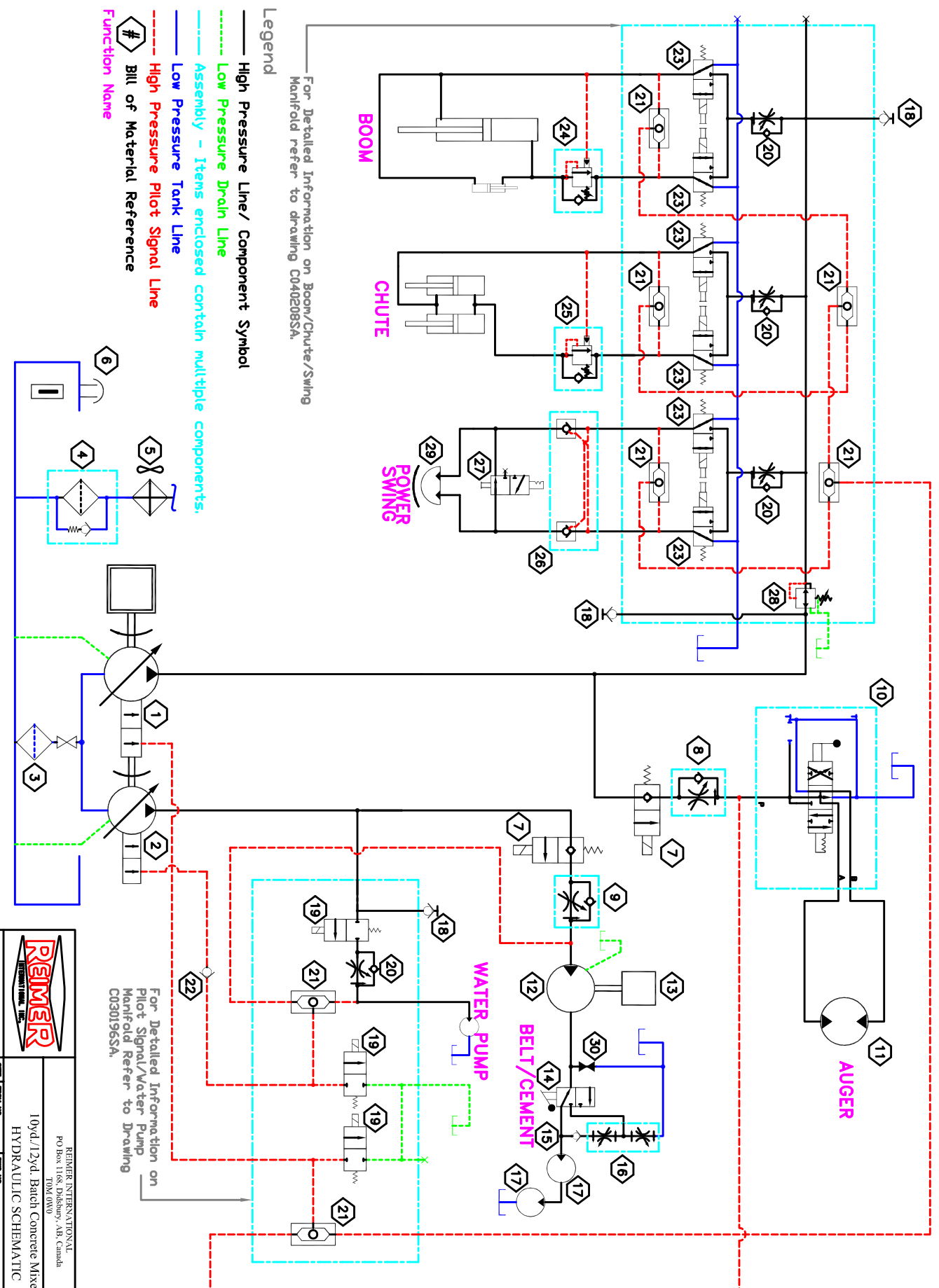
Pressure Reducing Cartridge
PRV12-10-S-0-30/

SMK-20-7/16-UNF-VE



12 Volt DC Coil # 02-178086
24 Volt DC Coil # 02-178087
DIN Connector - P5103-1651000

		REIMER INTERNATIONAL	
		PO Box 1168, Didsbury, AB, Canada T0M 0W0	
G. Green		Boom / Chute / Swing Manifold	
December 15, 2003		SCHEMATIC / GENERAL LAYOUT	
SIZE	FORM NO.	DWG NO.	REV
C	NTS	C 030197SA	0
SCALE	NTS	SHEET	1 OF 1

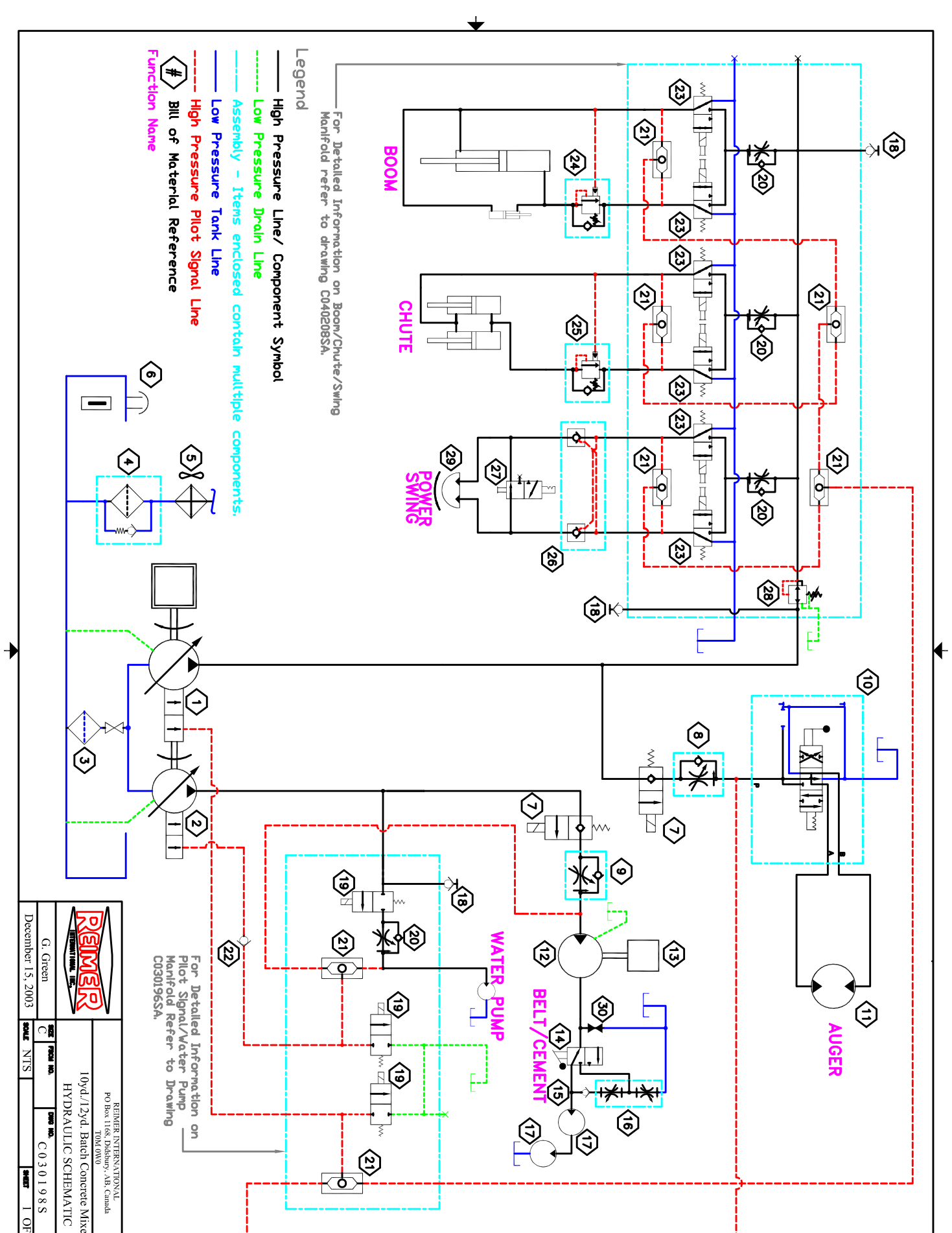


For Detailed Information on Boom/Chute/Swing Manifold refer to drawing C040208SA.

- Legend**
- High Pressure Line/ Component Symbol
 - - - Low Pressure Drain Line
 - - - Assembly - Items enclosed contain multiple components.
 - - - Low Pressure Tank Line
 - - - High Pressure Pilot Signal Line
 - ⬡ Bill of Material Reference
 - ⬡ Function Name

For Detailed Information on Pilot Signal/Water Pump Manifold Refer to Drawing C030196SA.

		REIMER INTERNATIONAL	
		PO Box 1168, Didsbury, AB, Canada T0N 0W0	
10yd./12yd. Batch Concrete Mixer HYDRAULIC SCHEMATIC		REV	0
DATE	ISSUE NO.	REV	0
December 15, 2003	C	C 030198S	0
SCALE	NTS	SHEET	1 OF 1



BILL OF MATERIAL

ITEM	QTY	DESCRIPTION	MFG
1	1	70553-RAZ Righthand Rotation Auger Pump	Eaton
1A	opt.	70553-LAR Lefthand Rotation Auger Pump	Eaton
2	1	70423-RBT Righthand Rotation Belt Pump	Eaton
2A	opt.	70423-LBG Lefthand Rotation Belt Pump	Eaton
3	1	P50-2-100-RV3 Suction Strainer	Flo-Ezy
4	1	HH2544A24MPSAGD Return Filter w/Element, Indicator Gauge, & Diffuser	Pall
4A	spare	HC2544FMP9H Spare Filter Element	Pall
5	1	MF-30-2-4A 12 VDC - Fan Operated Cooler	Thermal Transfer
5A	opt.	MF-30-2-4B 24 VDC - Fan Operated Cooler	Thermal Transfer
6	1	ABGP-1000-3-HN-CHAIN Breather Cap	Flo-Ezy
7	2	SV1-16-C-0-00 Solenoid Valve ON/OFF Belt and Auger Cartridge Only	Vickers
7A	2	02-178086 12 VDC DIN Coil	Vickers
7A.1	opt.	02-178087 24 VDC DIN Coil	Vickers
7B	2	P5103-1651000 Lighted w/Diode DIN Connector	Canfield
7C	2	566149 - SAE 12 Body for ON/OFF Belt and Auger Cartridge	Vickers
8	1	PCM1220S Flow Control for Auger Speed	Parker
9	1	PCM1020S Flow Control for Belt Speed	Parker
10	1	SD14/1(SV)211L/SAE12 Forward/Reverse Valve for Auger	Walvoil
10A	1	AL01-M10-200 Valve Handle	Walvoil
11	1	104-1034 Regular Speed Motor for Auger	Eaton / Charlynn
11A	opt.	104-1033 High Speed Motor for Auger	Eaton / Charlynn
12	1	106-1012 Regular Torque Motor for Belt	Eaton / Charlynn
12A	opt.	106-1013 High Torque Motor for Belt	Eaton / Charlynn
13	1	16FF105 Planetary Gear Reducer for Belt	Heco
13A	1	16E Sun Gear Adaptor for Belt Planetary Gear Reducer	Heco
14	1	DH 5/3 B SAE Cement Mix Selector Valve	Walvoil
15	1	CVH05-0375N Check Valve	DMIC
16	1	FP56-3/4 Proportional Flow Divider for Cement System	Brand
17	2	104-1228 Cement Augers Motor	Eaton / Charlynn
18	3	SMK20-7/16 UNF-VE Test/Gauge Port Quick Disconnect	Stauff
19	3	SV4-8-C-0-00 Solenoid ON/OFF E-Stop and Water Pump - Cartridge Only	Vickers
19A	3	02-160690 12 VDC Coil	Vickers
19A.1	opt.	02-160691 24 VDC Coil	Vickers
19b	3	P5103-1651000 Lighted w/Diode DIN Connector	Canfield
20	4	FDBA-LAN Flow Control for Water Pump, Boom, Chute, Swing	Sun
21	7	DSV2-8-B-0 Shuttle Valve for Load Sense Signals	Vickers
22	1	HSP-1000-2-5 Check Valve for Belt Load Sense	PCI
23	6	SV4-5299-0 Boom/Chute/Swing Solenoid Valve 3way/2pos - Cartridge Only	Vickers
23A	6	02-178086 12 VDC DIN Coil	Vickers
23A.1	opt.	02-178087 24 VDC DIN Coil	Vickers
23B	6	P5103-1651000 Lighted w/Diode DIN Connector	Canfield
24	1	CBCH-LCN-ECI 10:1 Ratio Counterbalance Valve for Boom Cylinder	Sun
25	1	CBV7-10-S-0-A-40/ECI 3:1 Ratio Counterbalance Valve for Chute Cylinders	Vickers
26	1	LOA-6-D Dual Lock Valve for Swing	Parker
27	1	MRV3-10-K-0 Manual Free Swing on Swing Function - Cartridge Only	Vickers
27A	1	566162 Body for Free Swing Valve - 6 SAE	Vickers
28	1	PRV12-10-S-0-30/ Pressure Reducing Valve - Cartridge Only	Vickers
29	1	L2025 Rotary Actuator for Swing Function	Helac
30	1	3/8" NPT - Ball Valve - 2500 psi	PCI